

# LED M<sup>3</sup> CLASSICAL MATRIX & ADAPTIVE SERIES

## Module U

## Module V



### Technical Specifications

Size: See Reverse

Watts: 5W

Lumen: 300lm

CCT: 3000K | 4000K | 6500K

Voltage: DC24V

Dimmable: 0-10V, PWM, Resistance

Beam Angle: 120°

CRI: >80

IP Rate: IP20

Materials: Aluminum, Glass

Housing Color: Copper (Black Optional)

Lifespan: 30,000 hours



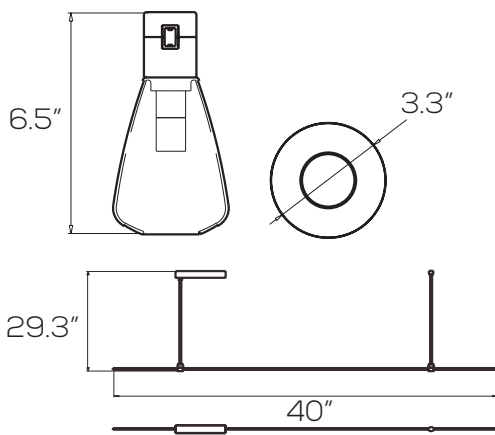
## Features

The M<sup>3</sup> Inspiration Series can be assembled in a variety of configurations due to its modular design. The two classical light modules can be attached exactly where you want it. The base kits come with a 100W driver but can be upgraded to a 150W driver. The Classical models are only compatible with one another.

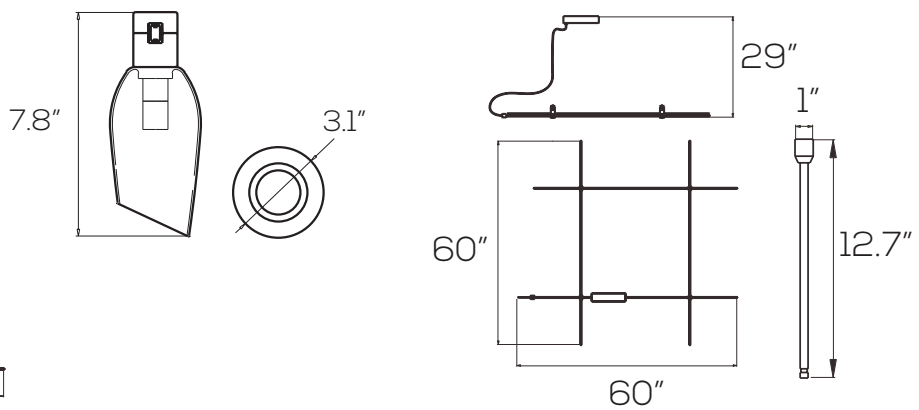


## Dimensions

### Module U



### Module V



## Parts & Accessories



Classical Lamp Module U  
SES-M3-U-5-3000-COPPER  
#32231



Classical Lamp Module U  
SES-M3-U-5-4000-COPPER  
#32232



Classical Lamp Module U  
SES-M3-U-5-6500-COPPER  
#32233



Classical Lamp Module U  
SES-M3-U-5-3000-BLACK  
#32234



Classical Lamp Module U  
SES-M3-U-5-4000-BLACK  
#32235



Classical Lamp Module U  
SES-M3-U-5-6500-BLACK  
#32236



Classical Lamp Module V  
SES-M3-V-5-3000-COPPER  
#32237



Classical Lamp Module V  
SES-M3-V-5-4000-COPPER  
#32238



Classical Lamp Module V  
SES-M3-V-5-6500-COPPER  
#32239



Classical Lamp Module V  
SES-M3-V-5-3000-BLACK  
#32240



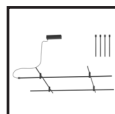
Classical Lamp Module V  
SES-M3-V-5-4000-BLACK  
#32241



Classical Lamp Module V  
SES-M3-V-5-6500-BLACK  
#32242



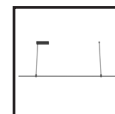
60x60" Classical Matrix Kit  
SES-M3-C-MATRIX-KIT-60X60-CO  
#12072



60x60" Classical Matrix Kit  
SES-M3-C-MATRIX-KIT-60X60-BL  
#32287



40" Classical Adaptive Kit  
SES-M3-C-ADAPTIVE-KIT-40-CO  
#12074



40" Classical Adaptive Kit  
SES-M3-C-ADAPTIVE-KIT-40-BL  
#32288



100W MW Driver  
SES-M3-DRIVER-100-24  
#12113 (Included)



150W MW Driver  
SES-M3-DRIVER-150-24  
#32284 (Upgrade)